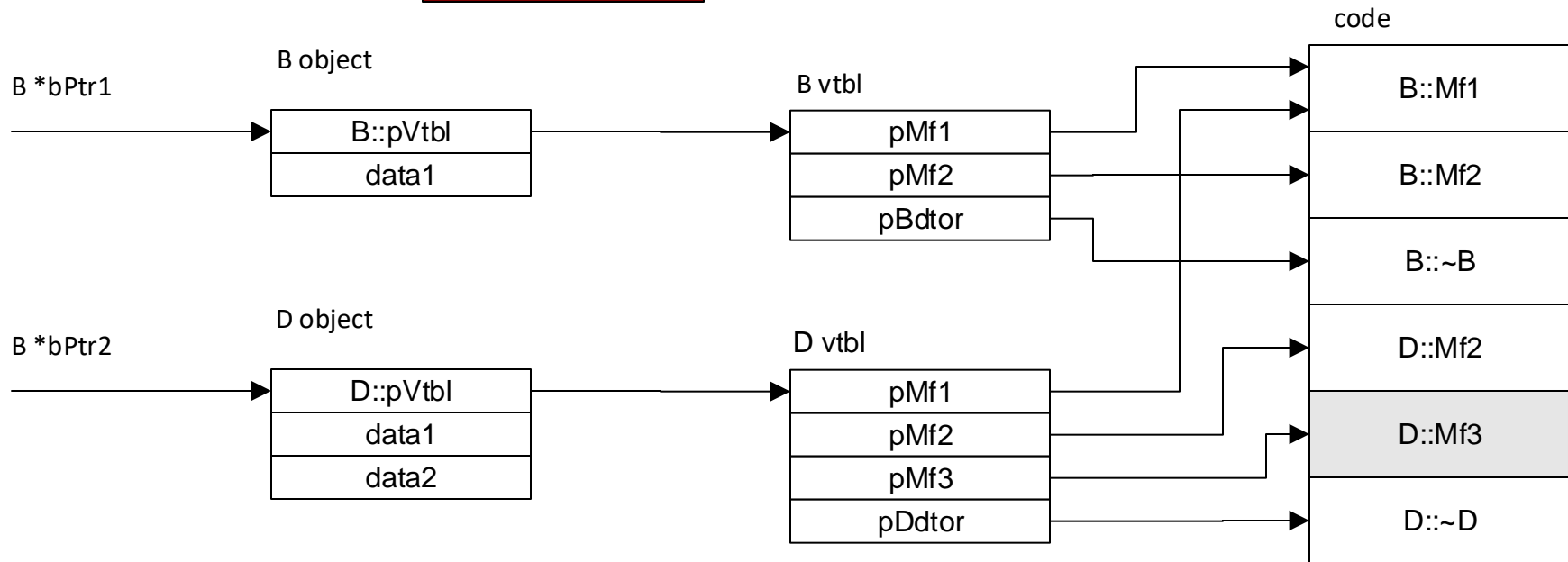


# Public Inheritance - Overriding inherited virtual functions

```
Class B {  
public:  
    virtual Mf1();  
    virtual Mf2();  
    virtual ~B();  
private:  
    T data1;  
};
```

```
Class D : public B {  
public:  
    virtual Mf2();  
    virtual Mf3();  
    virtual ~D();  
private:  
    T data2;  
};
```



can't call `D::Mf3` through base class pointer `bPtr2`  
since it is not part of the base class interface